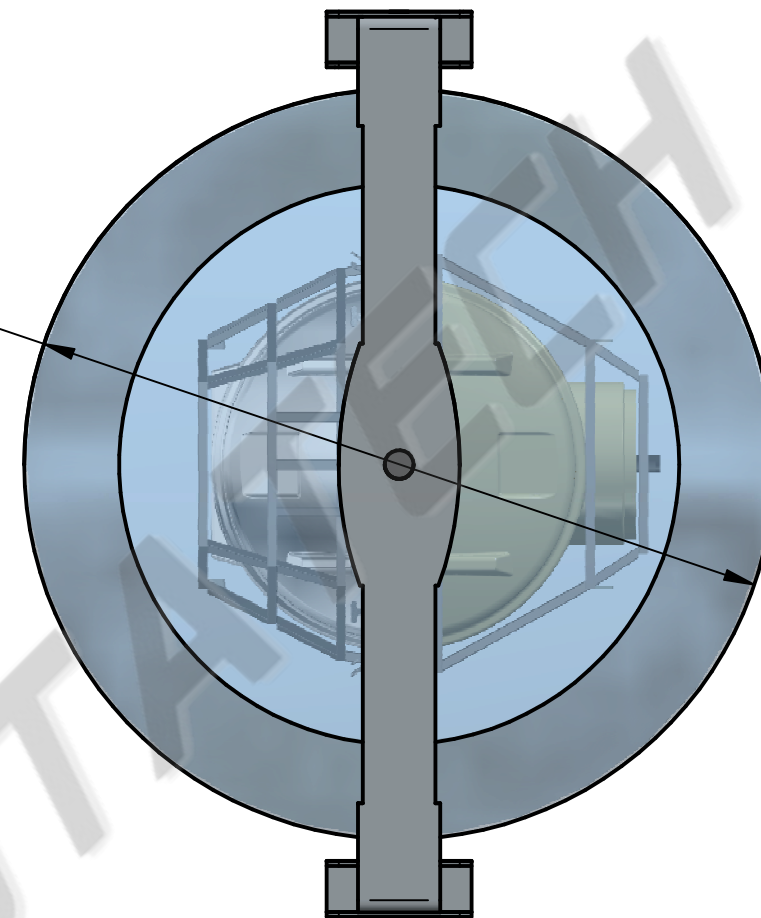


Ø 3100



R 1650

Machine room

